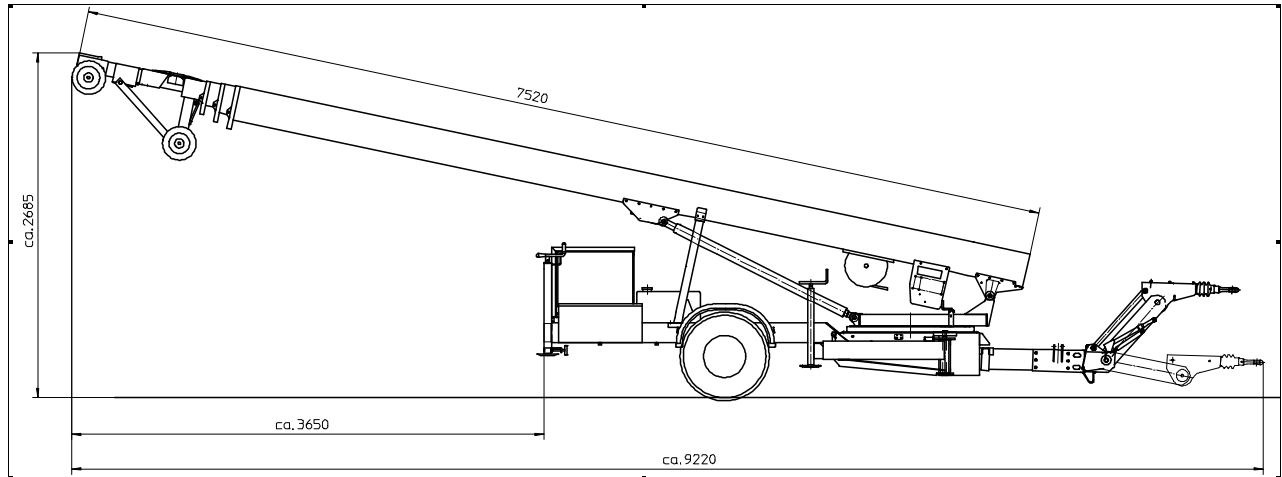




CUSTOM SERVICE CRANE, INC

HD 26K/1-5



Description		Data
Gross vehicle weight ¹		3968 lbs ²
Load capacity		595 lbs
Length vehicle		approx. 30 ft
Width vehicle		approx. 5.5 ft ²
Max. permissible axle load		3968 lbs ²
Tires		195 R14 C ²
Axle		3968 lbs
Overrun device	rigid	ALKO 251 S
	bearing load rigid	221 lbs
	towing bar rigid	QR 100 x 100
	height adjustable	AL-KO 251VB-2 (2 ft intermediate piece)
	bearing load height adjustable	265 lbs
	towing bar height adjustable	RR 160 x 100
Supports		2x swivelling and extendible, 2x fixed with crank outrigger
Rotary unit		Live ring triply adjustable (Optional: with infinitely variable hydraulically releasable live ring lock)
Drive unit		hydraulic aggregate Honda-engine 9,6 kW (13 PS) OR hydraulic aggregate Honda-engine 14,7 kW (20 PS)
Load winch and extension winch		hydraulic
Guide rails	number of rails	5 (optional rail 0)
	length rail package	25 ft
	extendible to	approx. 88 ft
	track width	2 ft

¹ The dead weight of the lift is lower but strongly depending on the configuration of the device

² 2300 kg with self-propelling drive and tires 215/75 R16 C (width 1850 mm)

All rights reserved for changes in dimensions and construction!