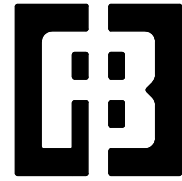
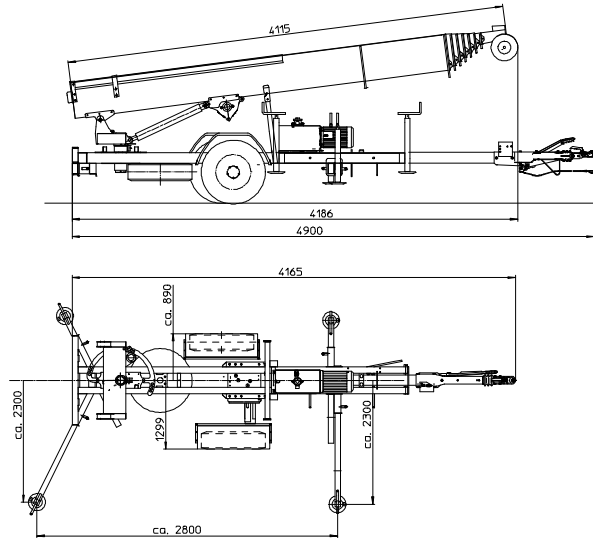


Böcker info



Junior HD 24/0-7 construction lift



Figures including special equipment, all measures above in millimeter

Dimensions / Specifications

Description		Data
Gross vehicle weight		approx. 2646 lbs
Load capacity		approx. 551 lbs
Length vehicle	compact	approx. 164 inches
	for drive operation	approx. 193 inches
Width	compact ¹⁾	approx. 35 inches
	for drive operation	approx. 51 inches
Axle load		approx. 2646 lbs
Tires		155R13 C 8PR (max. 1323 lbs)
Axle		Axle 2866 lbs (optionally half axles ¹⁾ 2646 lbs retractable) AL-KO wheel brake
Drawbar		rigid as well as retractable and removable
Overrun device		161S , 1544 – 2977 lbs, with ball shaped coupling
Supports		4x pluggable (support area approx. 91 x 110 inches)
Rotary unit		King pin with slide bearing
Drive unit		Honda 9 hp petrol engine
Load winch (extension winch)		hydraulic
Load winch rope	length	approx. 2165 inches
Guide rails	number of rails	8 (0 – 7; W-profiles)
	length rail package	approx. 162 inches
	extendible to	approx. 932 inches
	extendible with	knee joint and 79 inches extension
	track width	approx. 21 inches

¹⁾ Special equipment

Subject to change without notice!

as at 04/2005

Custom service crane, Inc.
P.O. Box 468
Mahomet, IL 61853

Telephone 1-217-586-5697
Fax 1-217-586-6300
www.customservicecrane.com

