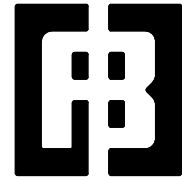
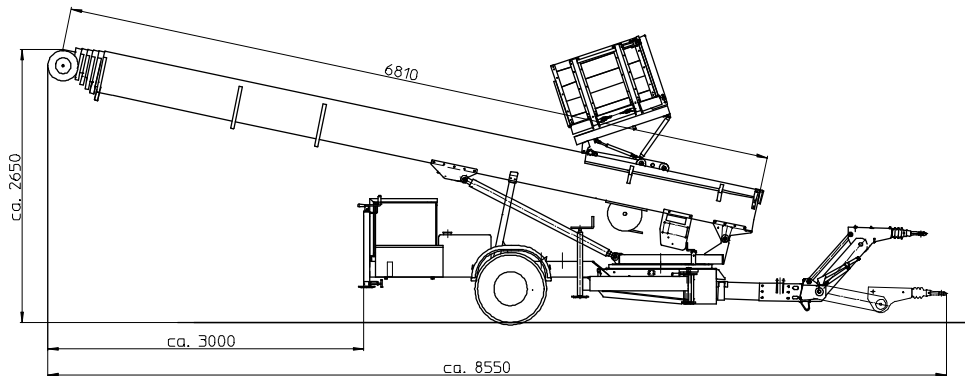


# Böcker info



## Arriva-furniture lift HD 37/2-8 LH



Figures including special equipment, all measures above in millimeter

### Dimensions/Specifications

Specification		Data
Gross vehicle weight		approx. 4940 lbs <sup>1</sup>
Load capacity		approx. 882 lbs
Length vehicle		approx. 348 inches
Width vehicle		approx. 70 inches
Max. permissible axle load		approx. 4940 lbs <sup>1</sup>
Tires		215 R14 C <sup>1</sup>
Axle		approx. 5513 lbs
Overrun device	rigid	ALKO 251 S
	bearing load rigid	approx. 220 lbs
	towing bar rigid	RR 100 x 100
	height adjustable	AL-KO 251VB-2 (23 inches intermediate piece)
	bearing load height adjustable	approx. 265 lbs
	towing bar height adjustable	RR 160 x 100
Supports		2x swivelling and extendible, 2x fixed with crank outrigger
Rotary unit		infinitely variable hydraulically releasable
Drive unit		Honda-engine (20 hp) powering hydraulic pump
Load winch and extension winch		hydraulic
Guide rails	number of rails	7 (2 – 8; LH-profiles)
	length rail package	approx. 268 inches
	extendible to	approx. 1436 inches
	track width	approx. 21 inches

<sup>1</sup> 5071 lbs with self-propelling drive and tires 215/75 R16 C (width approx. 73 inches)

Subject to change without notice!

as at 04/2005

Custom Service Crane, Inc. Telephone 1-217-586-5697  
 P.O. Box 468 Fax 1-217-586-6300  
 Mahomet, IL 61853 www.customservicecrane.com

