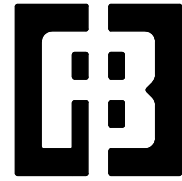
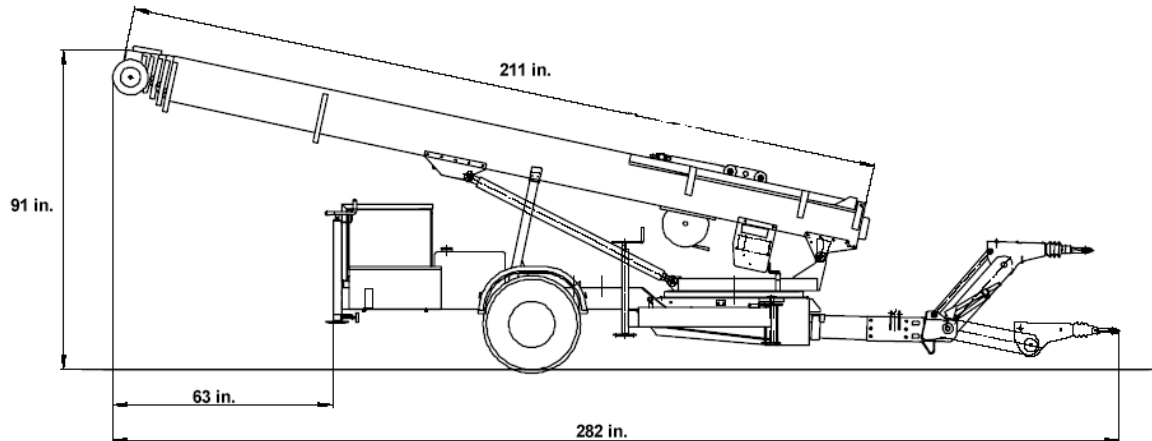


Böcker info



HD 26/1-6 LH construction lift



Figures including special equipment,

Dimensions/Specifications

Specification		Data
Gross vehicle weight		3969 lbs ¹
Load capacity		660 lbs
Length vehicle		23 ft- 5in.
Width vehicle		5ft-5in ¹
Max. permissible axle load		3969 lbs ¹
Tires		195 R14 C ¹
Axle		3969 lbs ¹
Overrun device	rigid	ALKO 251 S
	bearing load rigid	220 lbs
	towing bar rigid	RR 100 x 100
	height adjustable	AL-KO 251VB-2 (23 inches intermediate piece)
	bearing load height adjustable	265 lbs
	towing bar height adjustable	RR 160x100
Supports		2x swivelling and extendible, 2x fixed with crank outrigger
Rotary unit		infinitely variable hydraulically releasable
Drive unit		Honda-engine (13 hp) powering hydraulic pump
Load winch and extension winch		hydraulic
Guide rails	number of rails	6 (1 – 6; LH-Profile)
	length rail package	17 ft-7 in.
	extendible to	approx. 84 ft.
	track width	approx. 21 inches

¹ 5071 lbs with self-propelling drive and tires 215/75 R16 C (width approx. 73 inches)

Subject to change without notice!

as at 04/2005

Custom Service Crane, Inc. Telephone 1-217-586-5697
 P.O. Box 468 Fax 1-217-586-6300
 Mahomet, IL 61853 www.customservicecrane.com

